

PLEASE READ this sheet prior to assembly to familiarise yourself with the various stages of construction. Carefully open the pack supplied and check the contents against the parts and fittings check list.

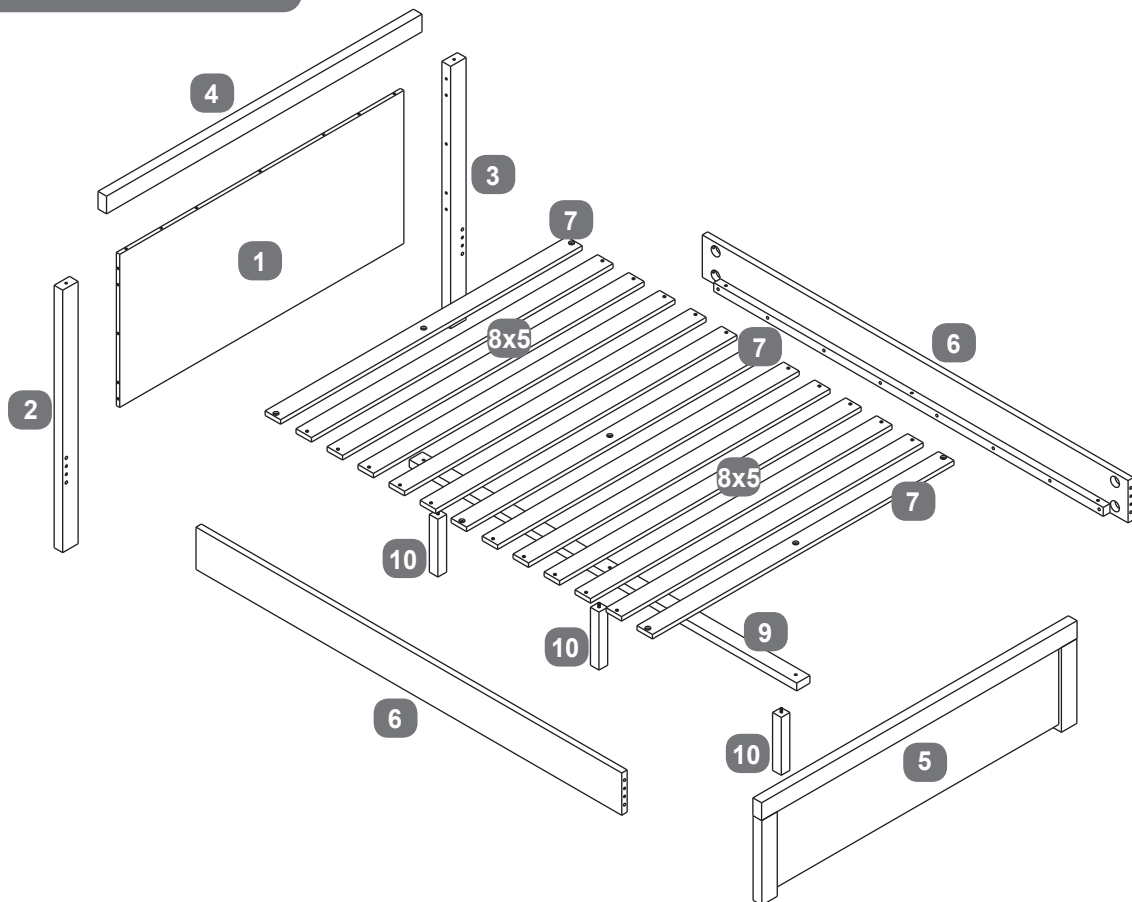
Do not destroy any of the packaging until you are certain that you have all the necessary parts for the assembly.

Please ensure that the packaging is disposed of in a safe environmentally friendly way.

CAUTION: There are small components used in the construction of this unit. These loose items should be kept away from young children during assembly, to avoid the danger of choking.

IMPORTANT: BEFORE STARTING TO ASSEMBLE THE BED - PLEASE READ THESE INSTRUCTIONS CAREFULLY.

### Parts Identification



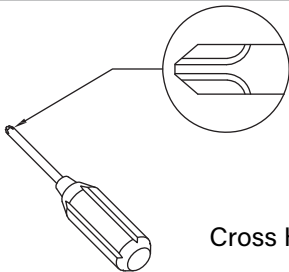
### Parts Checklist

Ref.	Description	Qty	Ref.	Description	Qty
1	Inner panel for headboard	1	6	Side rail	2
2	LH headboard leg	1	7	End & central wooden slat	3
3	RH headboard leg	1	8	Normal wooden slat	10
4	Top rail for headboard	1	9	Centre support rail	1
5	Footboard	1	10	Centre support leg	3

## Fittings Checklist

Code	Description	Qty	Code	Description	Qty
A	Cam bolt	x13	H	Spanner for M8 nuts	x1
B	Cam lock	x13	J	Screw (Ø4x30mm)	x20
C	Threaded stud (M8x90mm)	x8	K	Bolt (M6x30mm)	x9
D	Dowel (Ø8x30mm)	x14	L	Spring washer for M6 bolts	x9
E	Nuts for M8 stud	x8	M	Flat washer for M6 bolts	x9
F	Half-moon bracket	x8	N	Allen key for M6 bolts	x1
G	Spring washer for M8 stud	x8	P	Flat washer for M8 stud	x8

## Additional Tools Required



Cross Head Screwdriver

## Care & Maintenance

In the unlikely even of missing or damaged parts.  
Please email [hello@time4sleep.co.uk](mailto:hello@time4sleep.co.uk)  
Please have this guide at hand requesting the code reference number shown, when requesting spare or replacement parts.

## General Hints & Tips



Please retain your assembly instruction and tools provided for future use.  
Periodically check that all bolts are still tight.

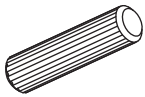
Assembly requires two persons.

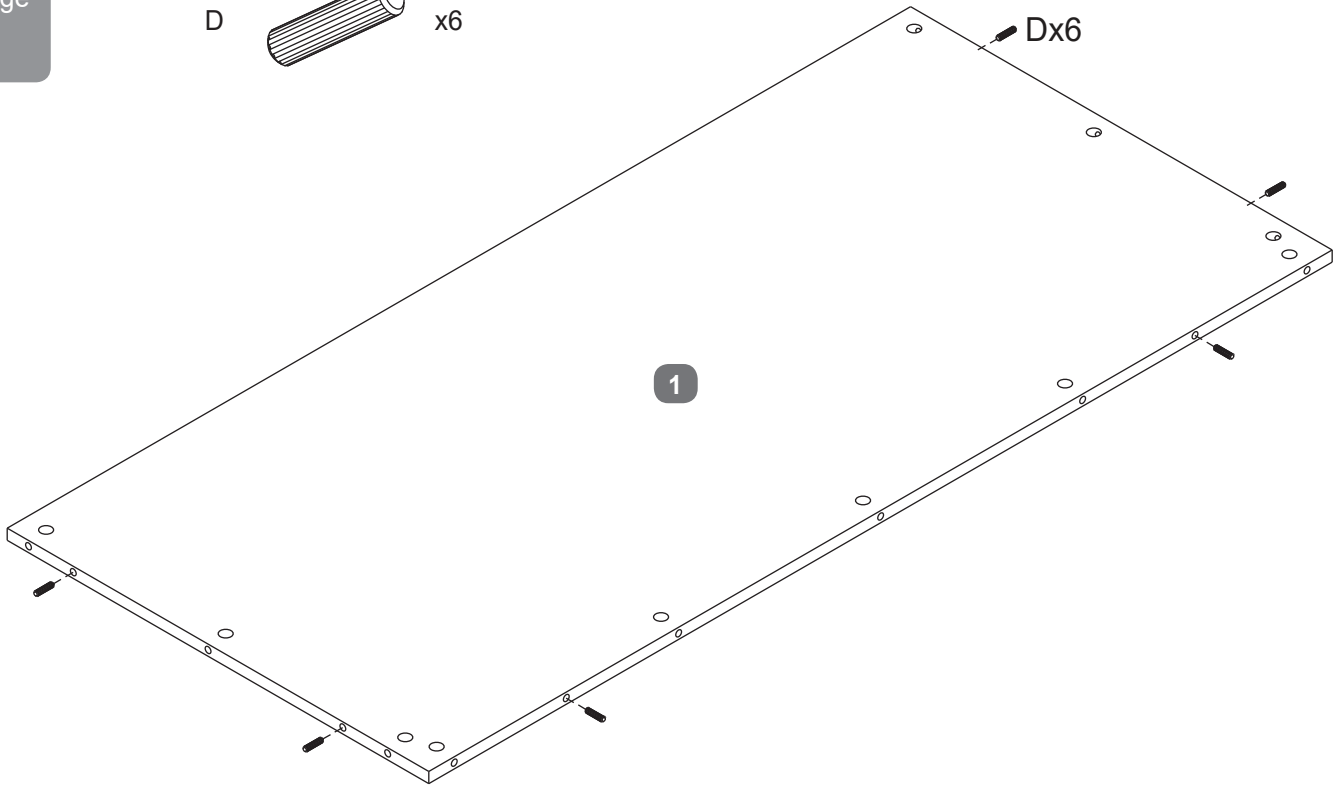


1.5 Hrs

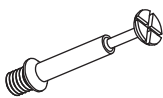
Approximate time to assemble this product

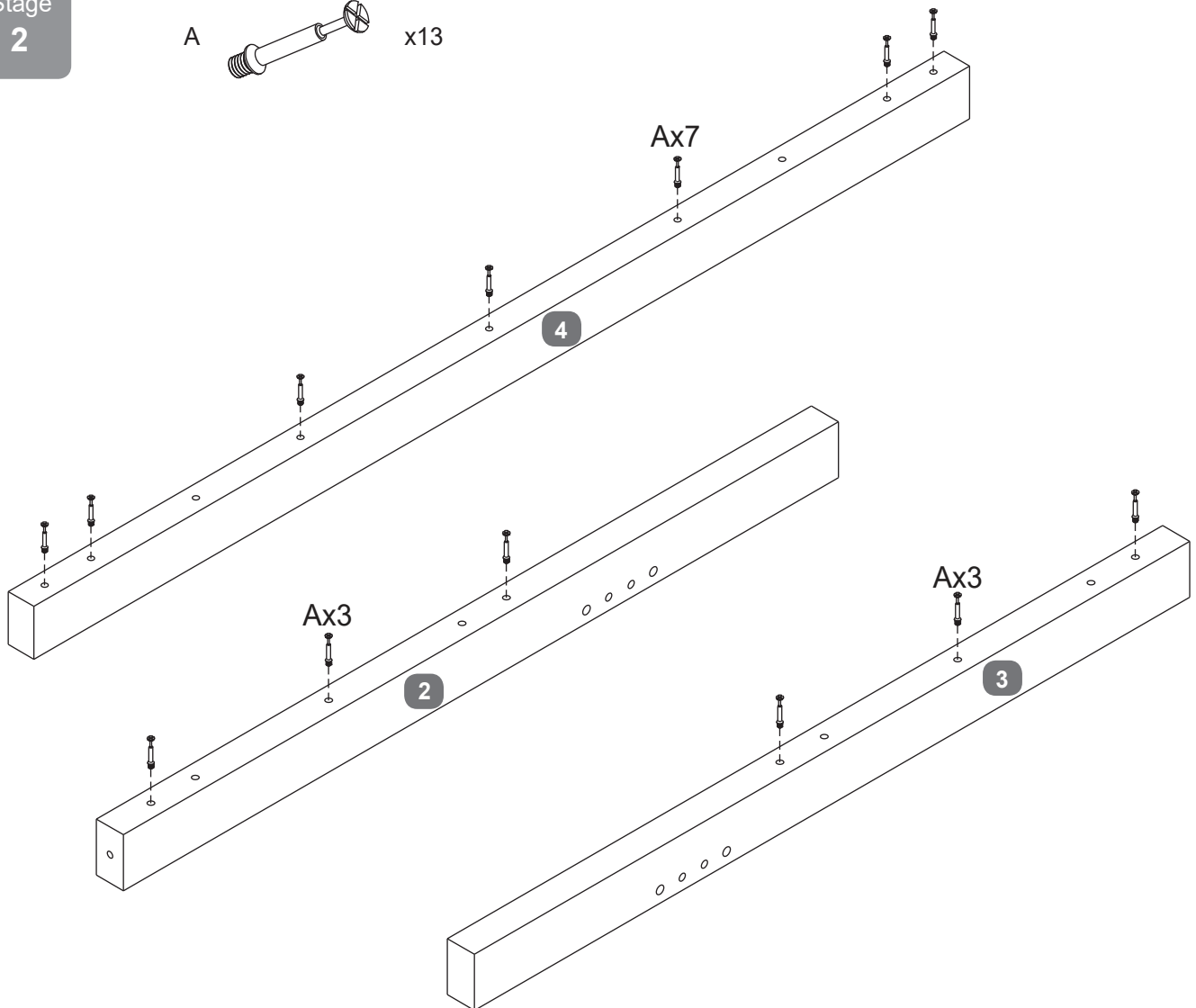
Stage  
1

D  x6

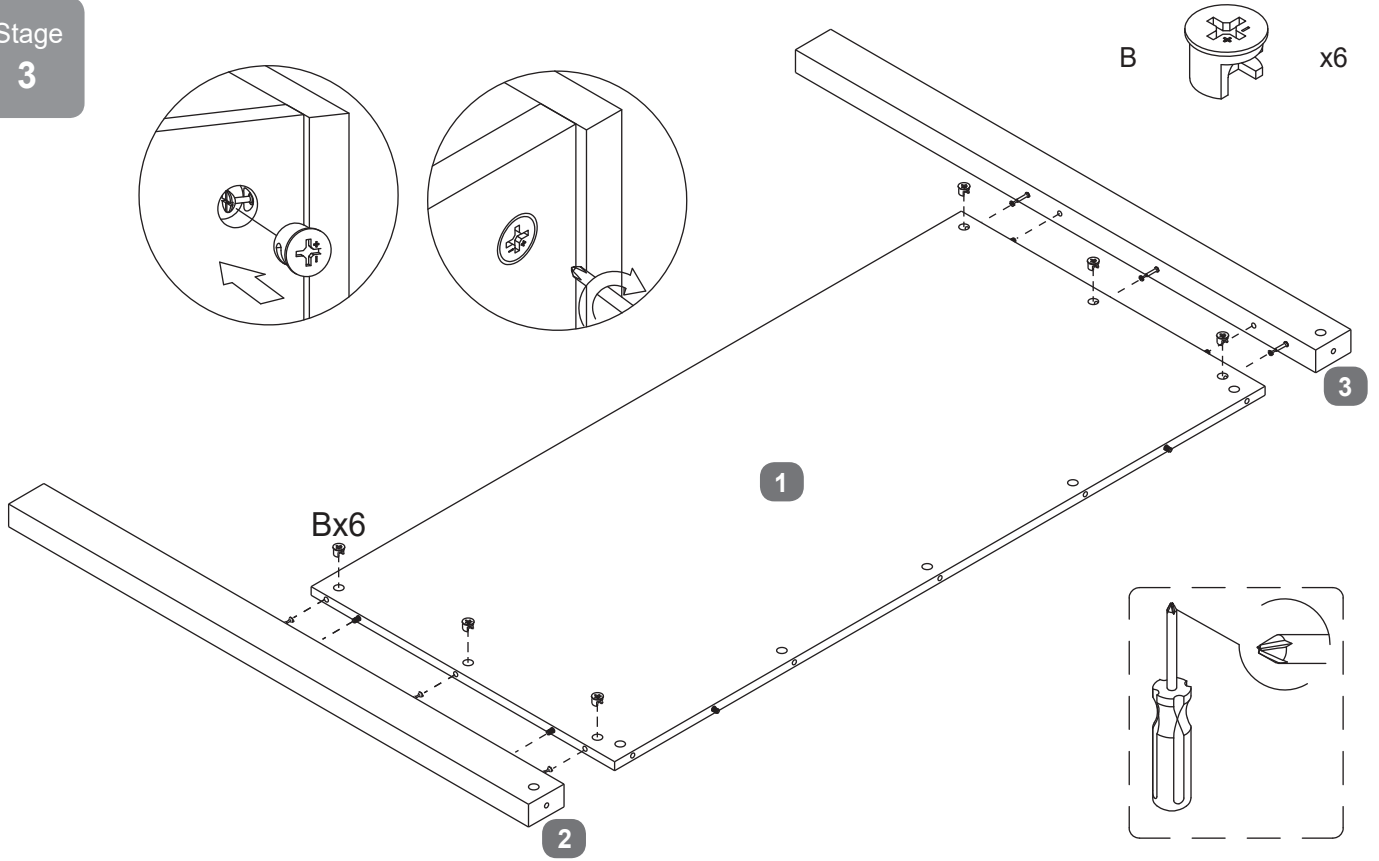


Stage  
2

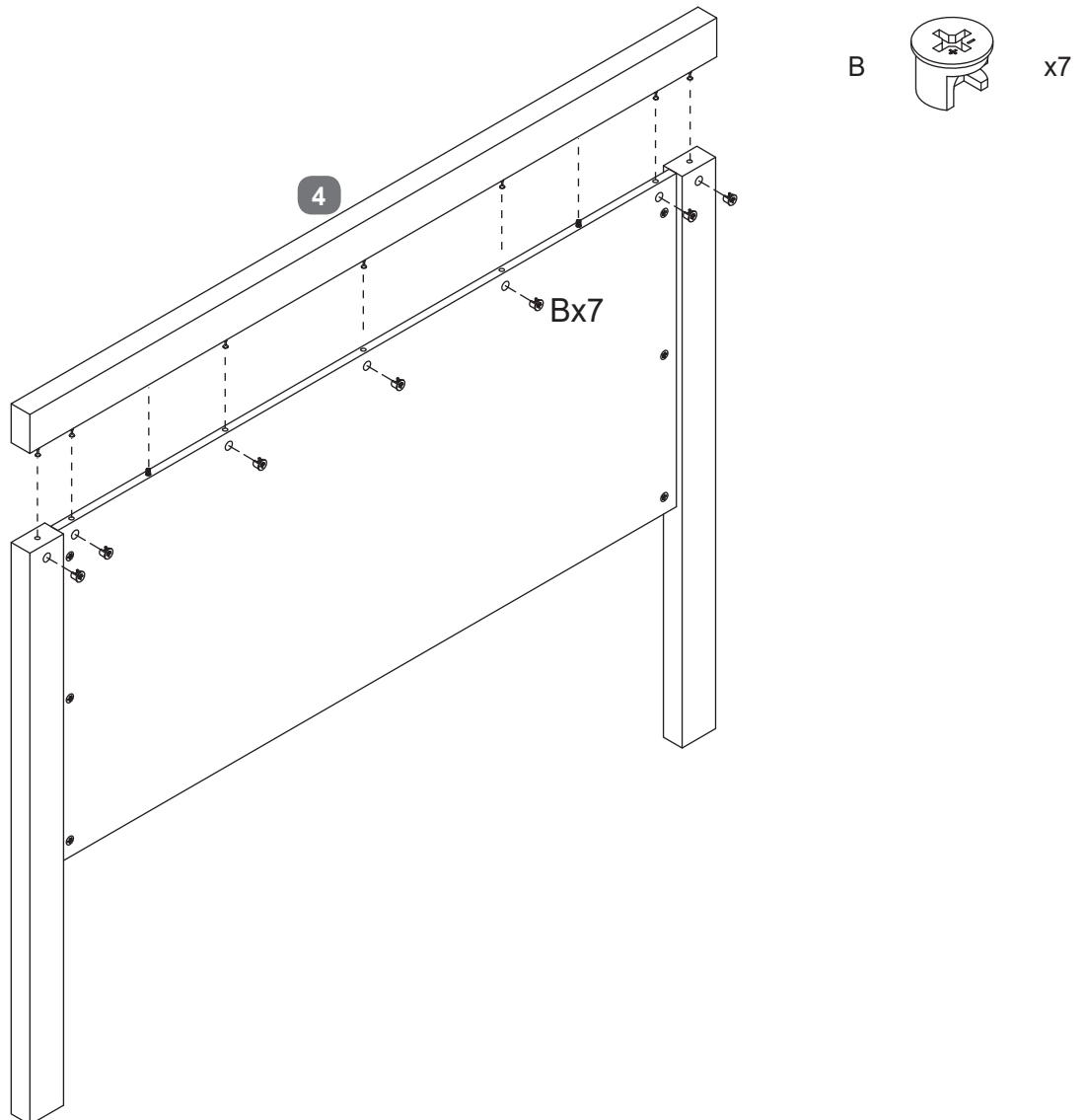
A  x13



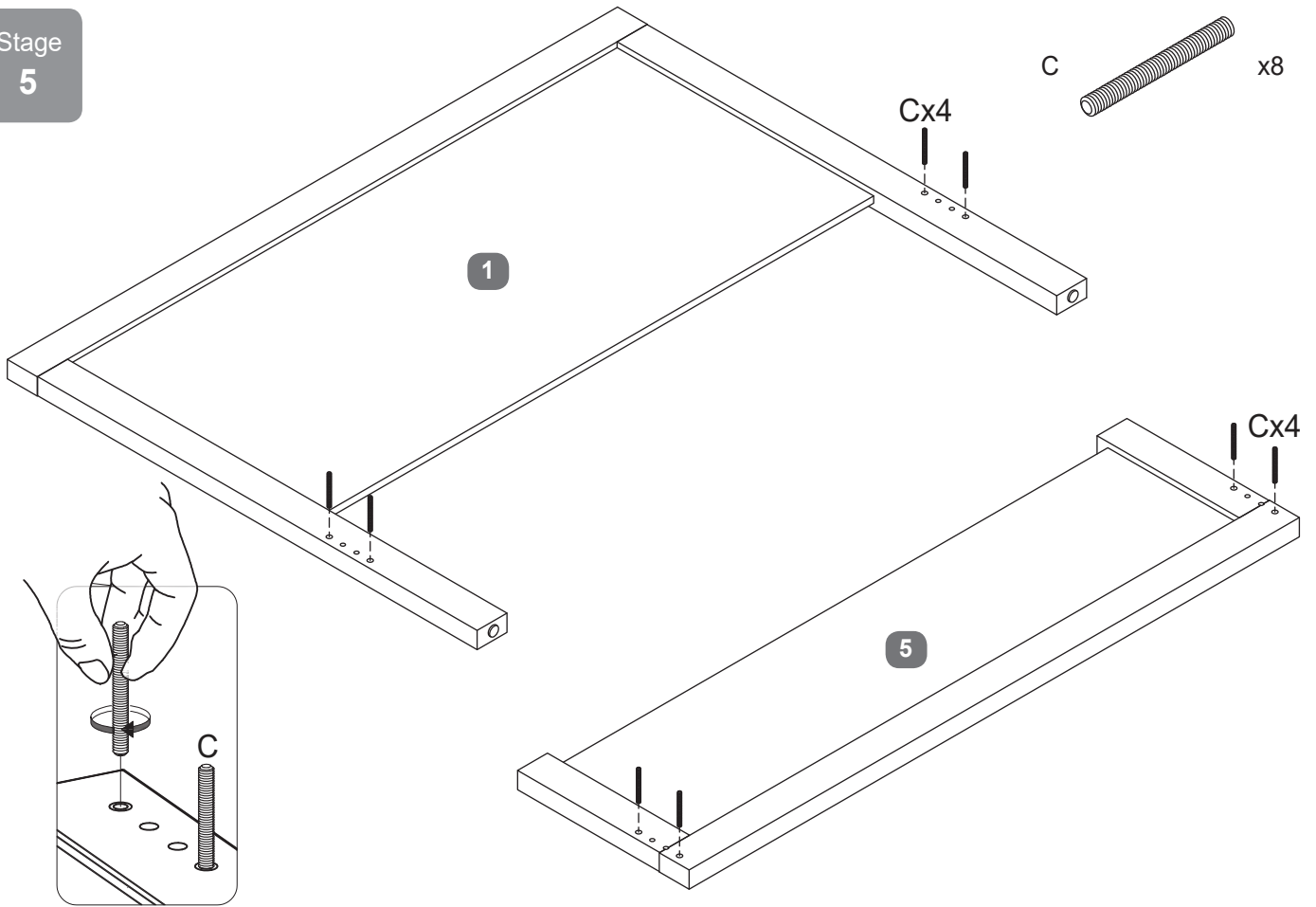
Stage  
3



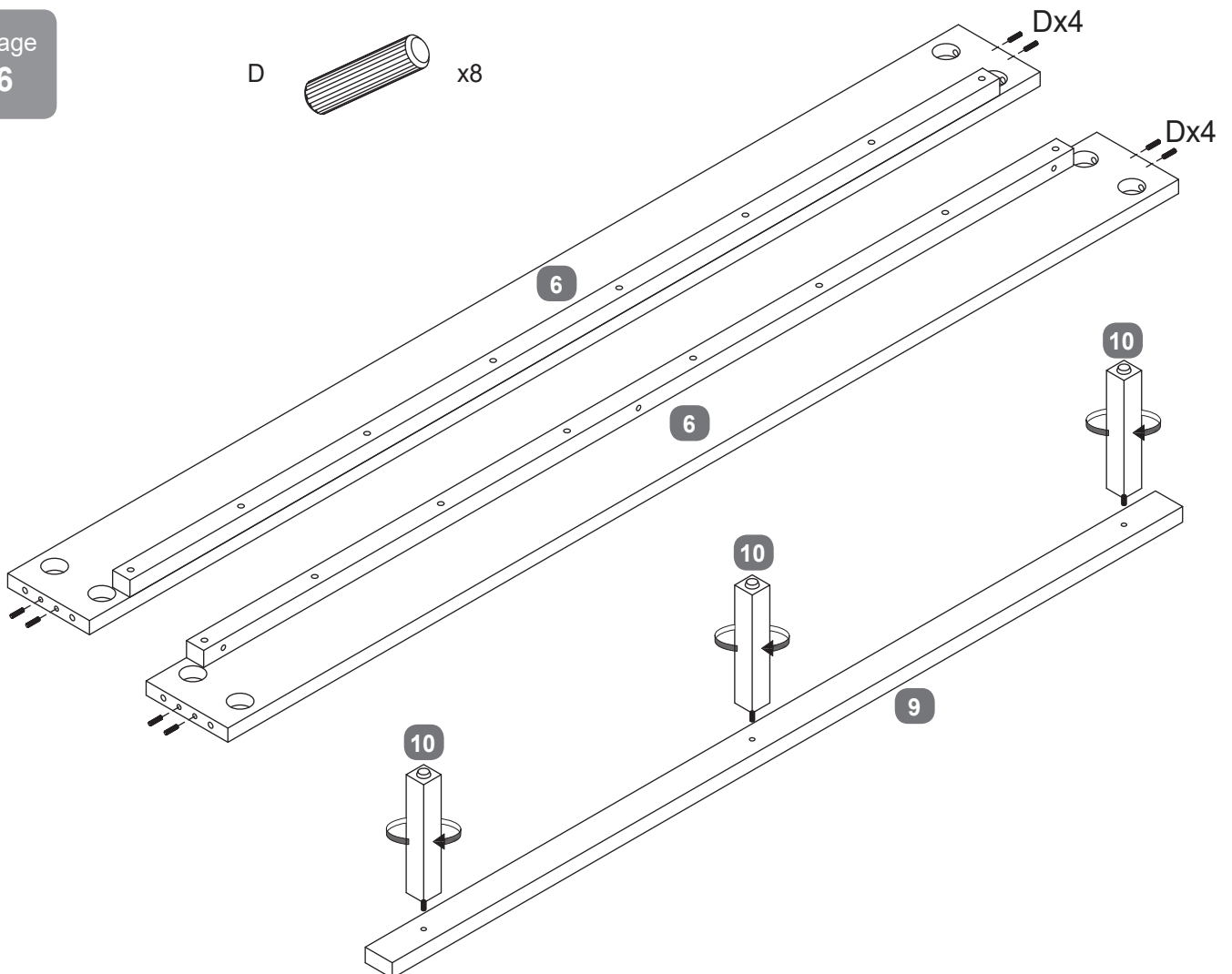
Stage  
4



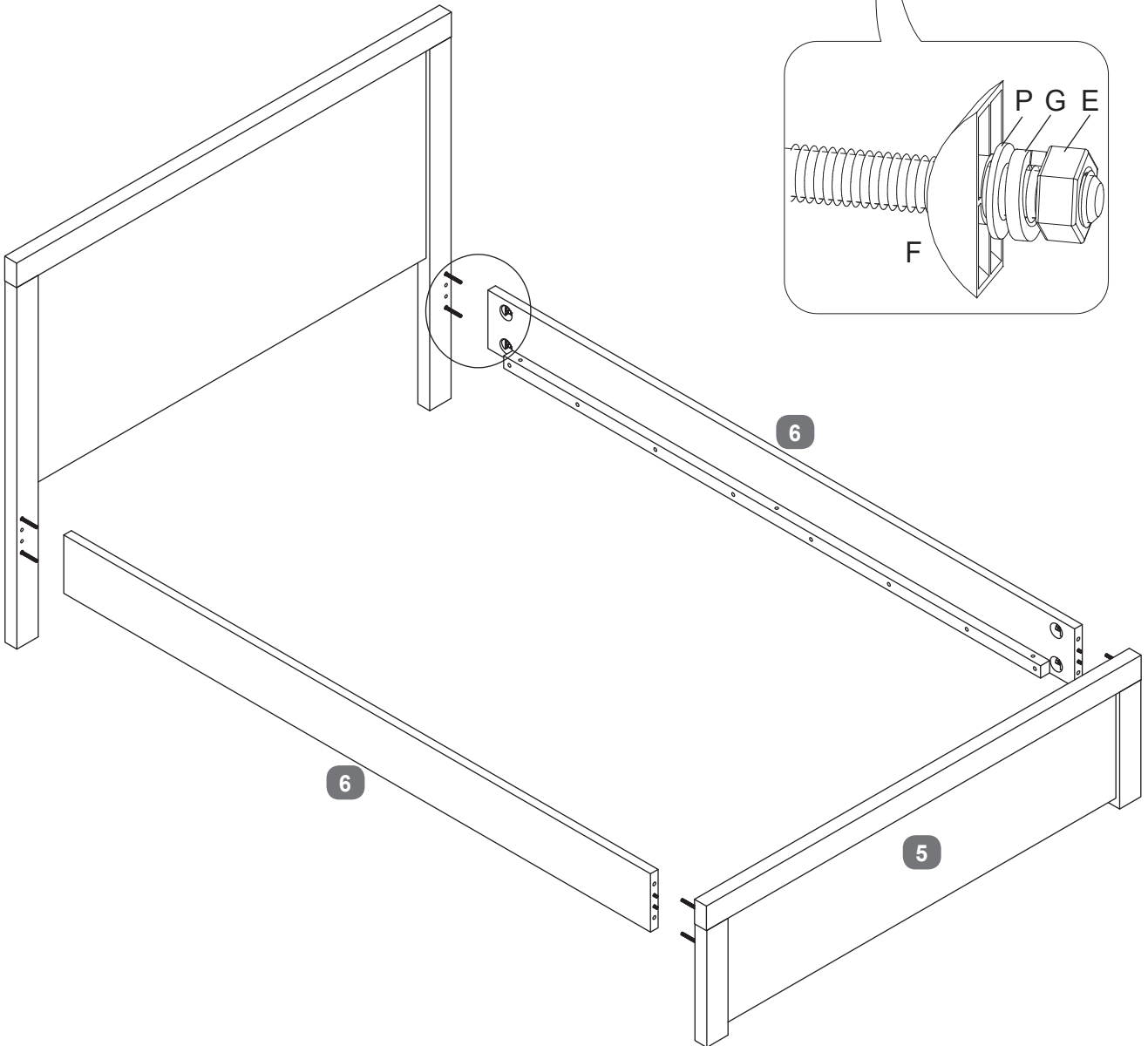
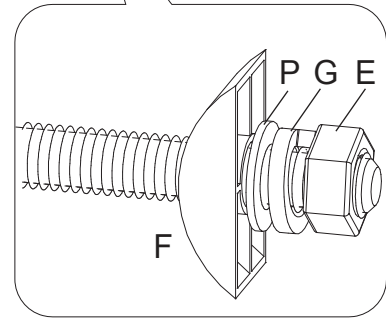
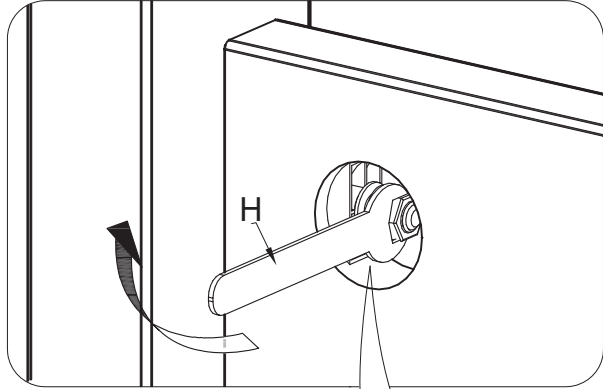
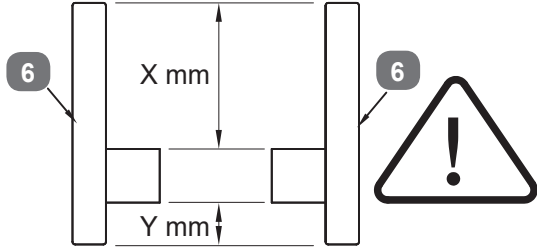
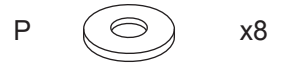
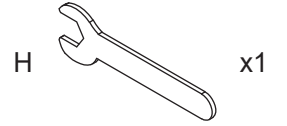
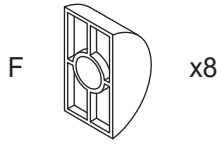
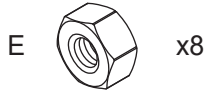
Stage  
5



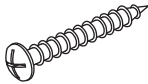
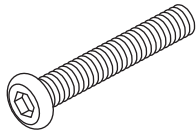

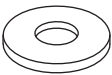

Stage  
6

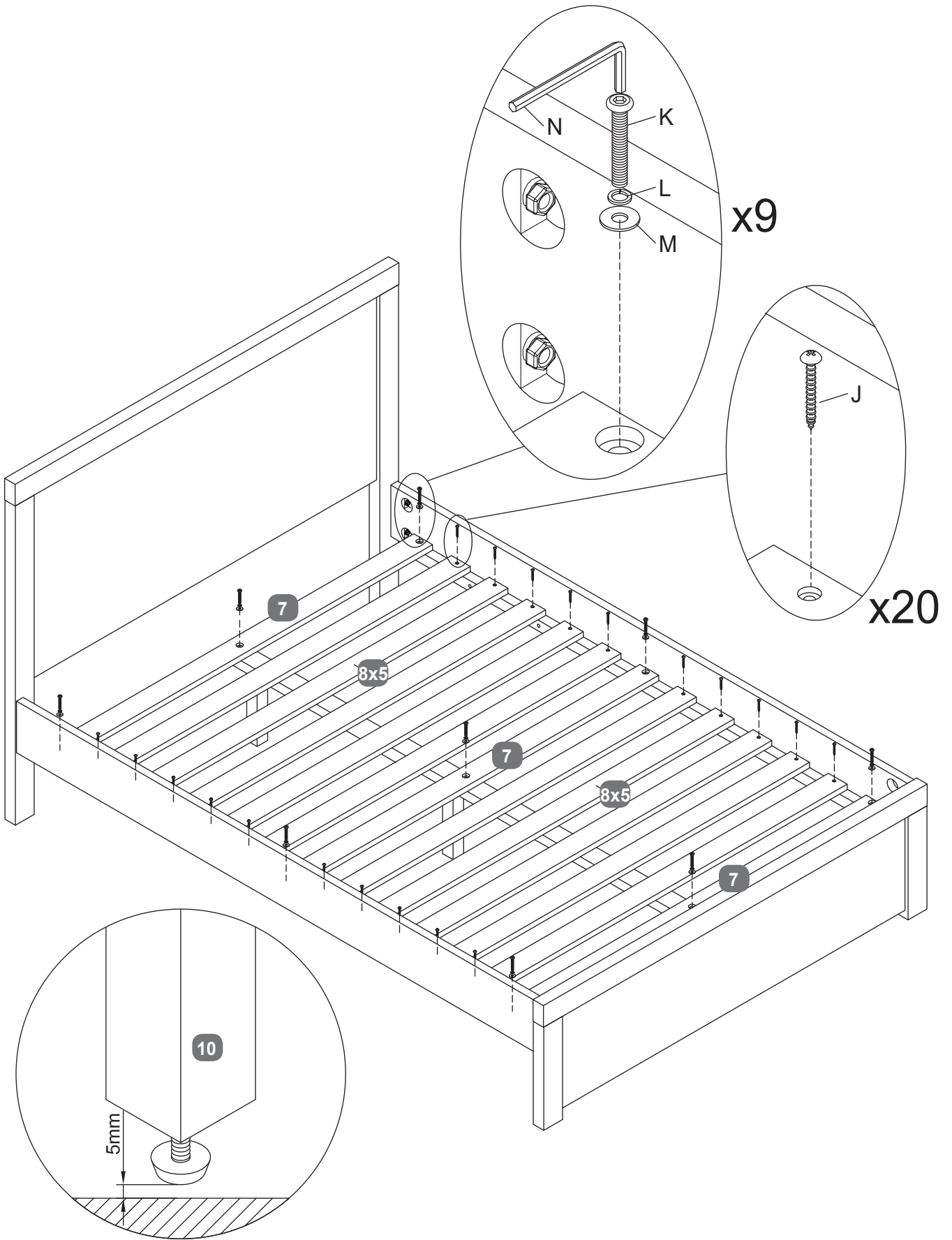


Stage  
7



Stage  
8

- J  x20
- K  x9
- L  x9
- M  x9
- N  x1



Overall Dimensions (LWH cm)

Double: 200.8 x 143 x 110

King: 210.8 x 158 x 110

Internal Dimensions (LW cm)

Double: 193 x 137

King: 203 x 153

Distance between slats (cm)

Double: 70.5

King: 79

Slat Dimension (cm)

Double: 136.7 x 7 x 1.8

King: 151.7 x 7 x 1.8

